



# KMD-410M\_H

## MODULAR CRESCENT CUBER



KMD-410M\_H  
12/04/17  
Item # 13247

Item #: \_\_\_\_\_  
Project: \_\_\_\_\_  
Qty: \_\_\_\_\_  
AIA#: \_\_\_\_\_

**W x D x H**  
**22" x 24" x 24"**

Shipping Dimensions  
30" x 29" x 32"

### KMD-410MAH

Air-Cooled


Shown on an optional  
Lancer 22" dispenser


### KMD-410MWH

Water-Cooled



## Features

- ▶ Individual crescent cube
- ▶ Stainless steel evaporator
- ▶ CycleSaver™ design 

- Up to 440 lbs. of ice production per 24 hours
- Durable stainless steel exterior
- EverCheck™ alert system 
- Removable air filters (Air-cooled model only)
- R-404A Refrigerant

#### Available on Bins:

**B-250PF**    **B-500PF/SF**    **B-800PF/SF**  
**BD-300PF/SF**    **B-700PF/SF**    **B-900PF/SF**

Top kit may be required. See Bin Spec Sheets.

#### Warranty:

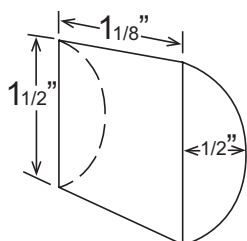
3 Year Parts & Labor on entire machine. 5 Year Parts & Labor on Evaporator. 5 Year Parts on Compressor; air-cooled condenser coil. Valid in United States, Canada, Puerto Rico and U.S. Territories. Contact factory for warranty in other countries.



Condenser	Model	ICE PRODUCTION		WATER USAGE		ELECTRICAL*								
		Air / Water Temp Lbs. per 24 hours 70° / 50°F    90° / 70°F	Potable Gal. per 100 lbs. 90° / 70°F	Condenser Gal. per 100 lbs. 90° / 70°F	kWh Used per 100 lbs. 90° / 70°F	Max. Fuse Sz or HACR Circuit Bkr	Amperage	Voltage	Circuit Wires (including ground)	Heat Rejection BTU/hr.	Refrigerant Charge Amount	Net / Ship Weight (lbs.)		
3 Phase	Air	KMD-410MAH	415	324	22.6	N/A	5.8	20A	8.0A	115V/60/1	3	6,000	1 lbs. 2.3 oz.	126 / 161
	Water	KMD-410MWH	440	382	23.2	145	4.3	20A	6.5A	115V/60/1	3	6,300	14.1 oz.	128 / 163

\*If neutral is not available transformer kit (HS-5030) is required. Refer to instruction manual for installation and electrical requirements.

### KM Cube Dimensions\*



\* approximate size in inches, image not to scale

### Operating Limits

- Ambient Temp Range    45 - 100°F
- Water Temp Range        45 - 90°F
- Water Pressure            10 - 113 PSIG
- Voltage Range             104-127V

### Service

- Panels easily removed and all components accessible for service.
- For proper air circulation and ease of maintenance/service, allow 6" (15 cm) clearance at rear, left side, and top and allow 12" (30 cm) clearance at right side for both air-cooled and water-cooled models.

### Plumbing

- Icemaker Water Supply Line: Min. 1/4" Nominal ID Copper Water Tubing or Equivalent
- Icemaker Drain Line: Min. 3/4" Nominal ID Hard Pipe or Equivalent Water-Cooled Model (Lines Must Be Independent of Icemaker)
- Condenser Water Supply Line: Min. 1/4" Nominal ID Copper Water Tubing or Equivalent
- Condenser Drain/Return Line: Min. 1/4" Nominal ID Hard Pipe (open drain system) or Copper Water Tubing (closed loop system) or Equivalent

### Water Filter

Please refer to water filter spec sheet for recommended configurations.

Hoshizaki reserves the right to change specifications without notice.



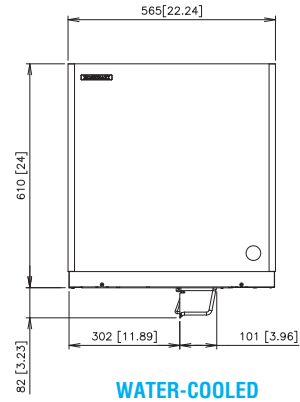
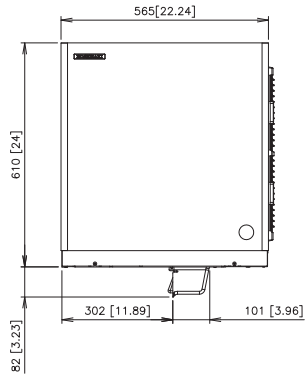
# KMD-410M\_H

## MODULAR CRESCENT CUBER

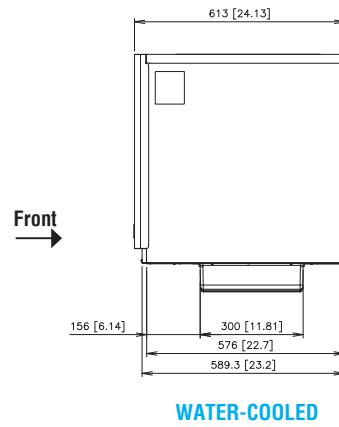
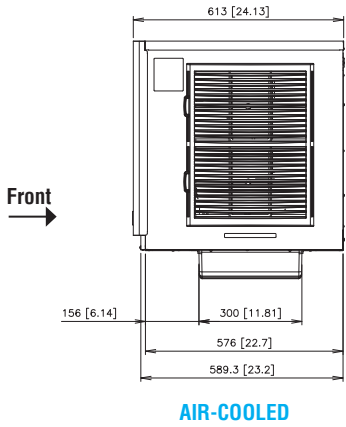


KMD-410M\_H  
12/04/17  
Item # 13247

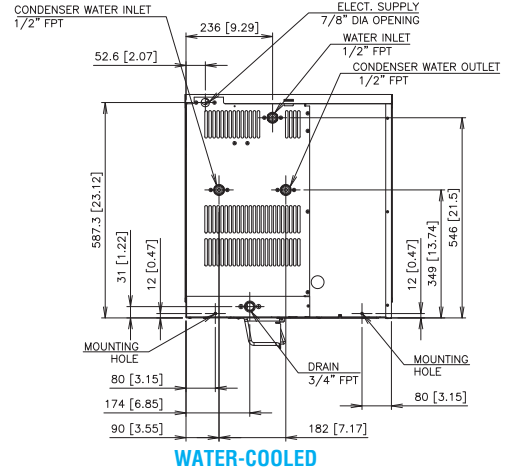
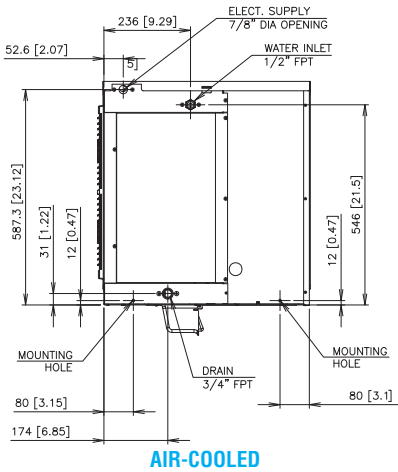
### FRONT VIEW



### SIDE VIEW



### REAR VIEW



### BOTTOM VIEW

