



sT3000W Ice Cube Machine

sT3000W Ice Cube Machine

Models

- SDT3000W-263H SYT3000W-263H



sT3000 Ice Machine on F-1325 Bin

Standard Features

- Quadzilla™ Evaporator System- places four high-output individual evaporators in a compact 48" (121.92 cm) wide ice maker for up to 3,380 lbs. (1,533 kgs.) daily ice production.
- Ice machine is 48" W x 31" D x 36" H (121.92 x 78.74 x 91.44 cm).
- Select components made with AlphaSan® antimicrobial.
- Patented ice harvest technology reduces energy requirements.
- R410A CFC-free refrigerant (48% less global warming potential)

Warranty

- 5-year parts and 5-year labor coverage on ice machine evaporator.
- 5-year parts and 3-year labor coverage on ice machine compressor.
- 3-year parts-and-labor coverage on all other components.

Specifications

BTU Per Hour:
45,000 (average)
51,000 (peak)

Compressor:
Nominal rating: 5.0 HP

Cupra-Nickel Condenser:
Adds protection from corrosive water elements.

Operating Limits:

- Ambient Temperature Range: 40° to 110° F (4.4° to 43.3° C)
- Water Temperature Range: Potable Water: 40° to 90° F (4.4° to 32.2° C)
- Condenser: 35° to 110°F (1.67° to 43.3°C)
- Water Pressure Ice Maker Water In: Min. 20 psi (137.9 kPa) Max. 80 psi (551.1 kPa)
- Condenser Inlet Water In: Min. 20 psi (137.9 kPa) Max. 250 psi (1,034.2 kPa)

The sT3000 is equipped with high pressure valves that handles water pressure from minimum of 20 psi (137.9 kPa) to a maximum 350 psi (2413.2 kPa)

Ice Machine Electric

available in 208-230v/60Hz/ 3 phase

Minimum circuit ampacity:

30 amps

Maximum fuse size:

30 amps

HACR-type circuit breakers can be used in place of fuses.

Ice Shape



Half Dice
3/8" x 1 1/8" x 7/8"
(.95 x 2.86 x 2.22 cm)



Dice
7/8" x 7/8" x 7/8"
(2.22 x 2.22 x 2.22 cm)

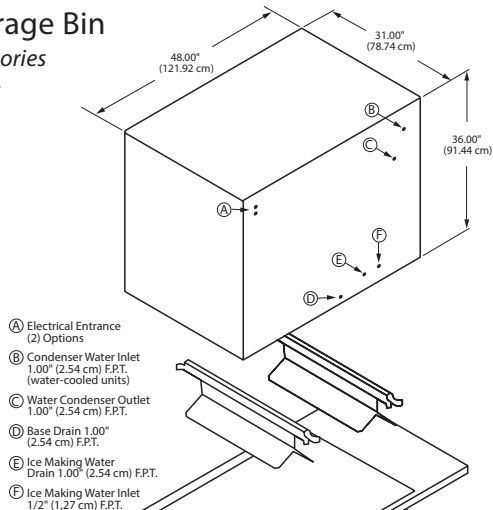


COMPANY WITH
QUALITY SYSTEM
CERTIFIED BY DNV
= ISO 9001:2008 =

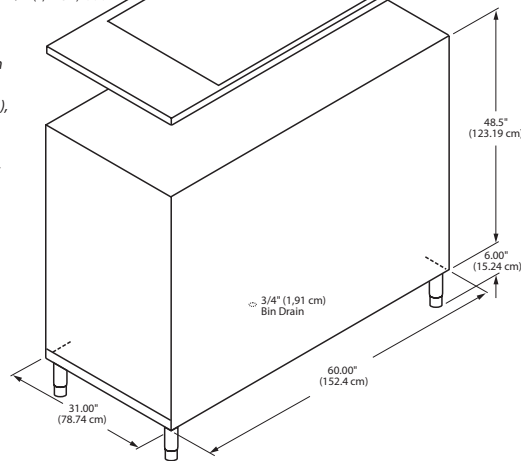


ST3000 on F-1325 Storage Bin
Ice Bin & Accessories
Sold Separately

ICE MACHINE + DEFLECTOR + ADAPTER + ICE BIN = PACKAGE



Installation Note
Recommended installation clearance—Top/sides 8" (20.3 cm), back: 24" (61 cm), although 24" (61 cm) is recommended on all sides. Bin drain—located in exact center of bin.



Space-Saving Designs



	ST3000 F-1300	ST3000 F-1325**
Height	99.50" 252.73 cm	90.50" 229.87 cm
Width	48.00" 121.92 cm	60.00" 152.40 cm
Depth*	31.00" 78.74 cm	31.00" 78.74 cm
Bin Storage	1,194 lbs. 542 kgs.	1,238 lbs. 562 kgs.

Height includes adjustable bin legs 6.00" to 7.50" (15.24 to 20.32 cm) set at 6.00" (15.24 cm).

Bin capacity is based on 90% of the volume x 33 lbs/ft³ average density of ice.

*Depth at bin base, 39" including bin door.

**Requires K-604800 bin adapter.

Accessories

K-00391 Ice Deflectors (Set of 2)

K-00395 Bin Thermostat

NOTE: ST3000 not for use on D-970 Bin.

K-604800 Bin Adapter for F-1325 / F-1650 Bins

K-614800 Bin Adapter for FC-1350 Bin & Cart System

Model	Ice Shape	Ice Production 24 Hours		Power kWh/100 lbs @ 90°Air/70°F	Water Usage/100 lbs. 45.4 kgs. of Ice	
		70°Air/50°F Water	90°Air/70°F Water		Potable Water Usage	Water-Cooled Condenser
SDT3000W*	dice	3000 lbs. 1361 kgs	2558 lbs 1160 kgs	3.69	21 gal 79 L	140 gal 530 L
SYT3000W*	half-dice	3200 lbs 1451 kgs	2584 lbs 1172 kgs	3.72	21 gal 78 L	140 gal 530 L.

Condenser Water Temperature	50°F 10°C	70°F 21°C	90°F 32°C
	Water Temp. Out F°	100° to 110°	
Water Temp. Out C°	37.8° to 43.3°		

Welbilt reserves the right to make changes to the design or specifications without prior notice.